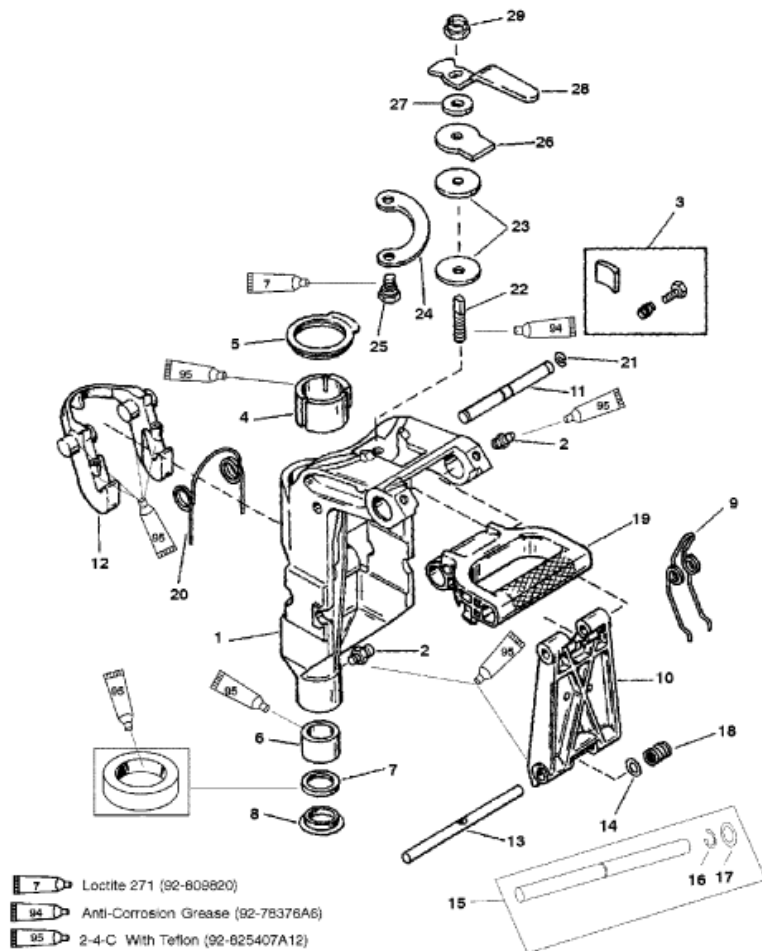


Parts List



19705

Ref	Class	Part	Description	Qty	Comment	Footnote
1	3402	8831A 6	SWIVEL BRACKET	1	(Black) SN# USA-0G032155/BEL-4	
1	3402	8831A 7	SWIVEL BRACKET	1	(Gray) SN# USA-0G032155/BEL-4	
1	3402	8831A 5	SWIVEL BRACKET	1	(Tracker Graphite Gray) SN# USA	
1	3402	8831A 8	SWIVEL BRACKET	1	(Black) SN# USA-0G032156/BEL-4	
1	3402	8831A 9	SWIVEL BRACKET	1	(Gray) SN# USA-0G032156/BEL-4	
1	3402	8831A10	SWIVEL BRACKET	1	(Tracker Graphite Gray) SN# USA	
2	22	74036	FITTING, Grease	3		
3		42124A 2	PLATE ASSEMBLY-CO-PILOT	1		
4	23	42140 2	BEARING	1		
5	23	42080 1	THRUST BEARING-UPPER	1		
6	23	42139	BUSHING	1		
7	26	42077	SEAL	1		
8	12	42373	THRUST WASHER	1		
9	24	42130 1	SPRING	1		
10		42082 4	BRACKET	1		
11	17	42081 1	PIN	1		
12		42141 1	HOOK, Reverse Lock	1		
13	17	42083	PIVOT PIN	1	DESIGN I	
14	12	91963	WASHER, (.390 x .600 x .032)	1	DESIGN I	
15	17	830741A 1	PIVOT PIN	1	DESIGN II	
16		NSS	NOT SOLD SEPARATE	1	DESIGN II	7
17	12	91963	WASHER, (.390 x .600 x .032)	1	DESIGN II	
18	24	42128	SPRING	1		
19		42085F 4	CARRYING HANDLE	1	(BLACK)	
19		42085F 2	CARRYING HANDLE	1	(GRAY)	
19		42085F 3	CARRYING HANDLE	1	(TRACKER GRAPHITE GRAY)	
20	24	42127	SPRING	1		
21	53	13194	RING, Retaining	2		
22		821961	ROD	1		
23		816562 1	DISC	2		
24		821958A 1	SWIVEL HEAD PLATE	1		
25	10	821300 14	SCREW, (M6 x 14)	2		
26		821957	BRAKE PLATE	1		
27	12	29330	WASHER	1		
28		821959	HANDLE	1		
29	11	34863	NUT, (.375-24)	1		
-	37	823701 1	DECAL, Co-Pilot	1		